
Company Details

Project Name/Number: _____

Company Name: _____

Address: _____

Postcode: _____

Phone: _____ Fax: _____

Email: _____

Date: _____

Deliver To: _____

Liner Required

Base

Colour/Pattern: _____ Thickness: _____

Side

Colour/Pattern: _____ Thickness: _____

Tile Band

Colour/Pattern: _____ Thickness: _____


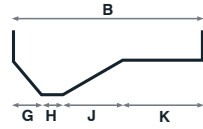

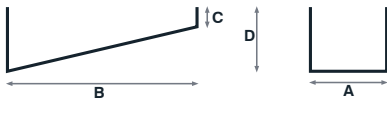
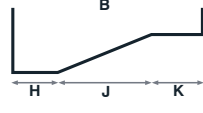

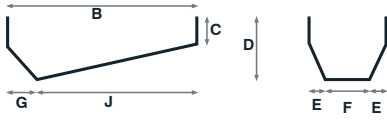
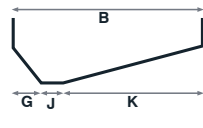

Corners

 Square: _____ Radius: _____

 Mitre: _____ Wall to Floor Radius: _____



Liner Type

	<input type="checkbox"/> Flat Bottom			<input type="checkbox"/> Hopper
	<input type="checkbox"/> Constant Slope			<input type="checkbox"/> Special Slope
	<input type="checkbox"/> Wedge			<input type="checkbox"/> Wedge Hopper

Kidneys, ovals and all special shapes please attach detailed drawings.

Dimensions

A: _____	F: _____
B: _____	G: _____
C: _____	H: _____
D: _____	I: _____
E: _____	J: _____

Fixing

Beaded: _____ Overlap: _____

Cover System

Track cover details: _____

Special Requirements/Instructions

Have you checked diagonals? If unequal please give details in the special requirements box above.